

Ceramic AC Capacitors

Class X1, 760V_{AC} / Class Y1, 500V_{AC}

DESIGN:

Disc capacitors with epoxy coating

RATED VOLTAGE U_R:

(X1): 760V_{AC}, 50Hz (IEC 60384-14.2)
 (Y1): 500V_{AC}, 50Hz (IEC 60384-14.2)
 250V_{AC}, 60Hz (UL1414, CSA C22.2)

DIELECTRIC STRENGTH BETWEEN LEADS:

Component test:
 4000V_{AC}, 50Hz, 2s
 As repeated test admissible only once with
 3600V_{AC}, 50Hz, 2s
 Random sampling test (destructive test):
 4000V_{AC}, 50Hz, 60S

DIELECTRIC STRENGTH OF BODY INSULATION:

4000V_{AC}, 50Hz, 60s (destructive test)

DISSIPATION FACTOR tan δ:

≤ 25 · 10⁻³

INSULATION RESISTANCE R_{is}:

≥ 10 · 10⁹Ω

CATEGORY TEMPERATURE RANGE ϑ_A:

(- 40 to +125)°C

CLIMATIC CATEGORY ACC. TO EN60068-1:

40/125/21

COATING:

Epoxy dipped, insulating, flame retarding acc. to
 UL 94V-0

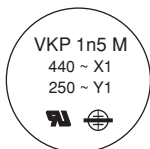
TAPING AND SPECIAL LEAD CONFIGURATIONS:

On request

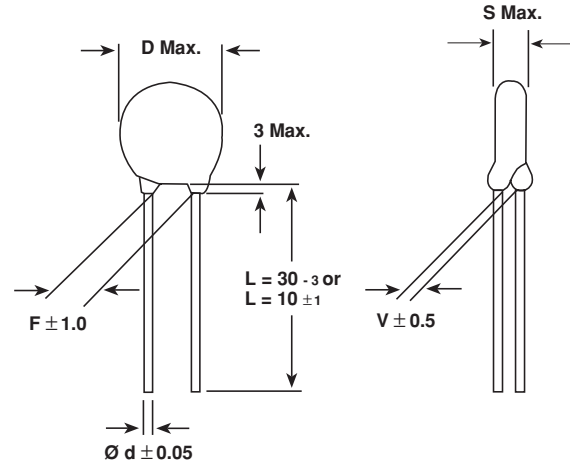
MARKING:

D ≤ 9mm

D ≥ 10mm

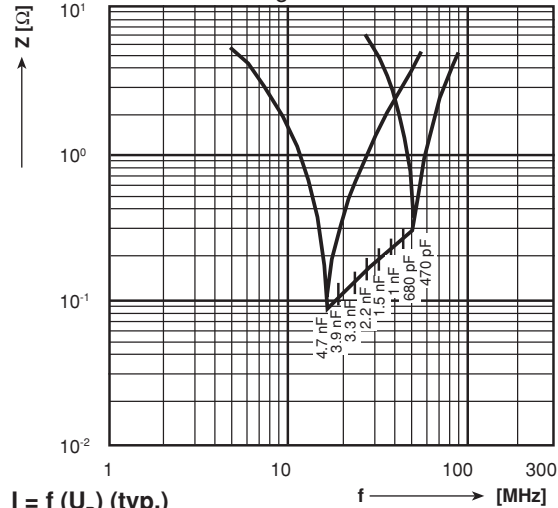


All approval marks are also shown on the label.

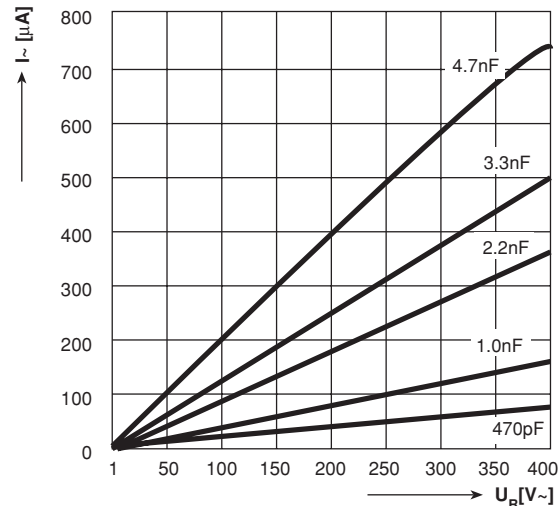


• Dimensions in mm

Impedance (Z) as a function of frequency (f) at T_a = 20°C (average).
 Measurement with lead length 6mm.



I = f (U_R) (typ.)





CAPACITANCE (pF)	D x s Max. (mm)	F ± 1* (mm)	d ± 0.05* (mm)	V ± 0.5* (mm)	ORDERING CODE	CERAMIC DIELECTRIC
470	8.0 x 5.0	12.5	0.6	2.1	VKP471□CQ□□□K	K 4000
680	8.0 x 5.0		VKP681□CQ□□□K			
1000	9.0 x 5.0		VKP102□CQ□□□K			
1500	10.0 x 5.0		VKP152□CQ□□□K			
2200	12.0 x 5.0		VKP222□CQ□□□K			
2700	13.0 x 5.0		VKP272□CQ□□□K			
3300	15.0 x 5.0		VKP332□CQ□□□K			
3900	15.0 x 5.0		VKP392□CQ□□□K			
4700	17.0 x 5.0		VKP472□CQ□□□K			

*Standard lead configuration, other lead spacing and diameter available on request.

Capacitance Tolerances: ± 10%, ± 20%

Ordering Code:	<input type="checkbox"/> 7th digit:	Capacitance tolerance:	± 10% = K ± 20% = M
	<input type="checkbox"/> 10th/11th/12th digit:	Lead configuration (See General Information)	

APPROVALS			
IEC 60384-14 2ND edition (1993) Table II & A 1 (1995-06)	(Y1) CB-Test Certificate (X1) CB-Test Certificate	Fi 492 A 2 (250V _{AC}) Fi 491 A 2 (440V _{AC})	
EN 132400 (1994) These approvals together with the CB-Test Certificate substitutes the national approval of the nations given in the table below	(Y1) CB-Test Certificate (X1) CB-Test Certificate	DE 1-7461 (500V _{AC}) DE 1-7461 (760V _{AC})	
UL 1414	Across-the-line, antenna coupling and line-by-pass capacitor	E 183844 V1 S5 (250V _{AC})	
CSA C22.2 No. 1-94	Across-the-line, line-to-ground and antenna isolation capacitor	LR 64546-12 (250V _{AC}) E 183844 V1 S5 (250V _{AC})	

This approval mark together with the CB-Certificate replace all national approval marks of the following countries (they have already signed the CB-Agreement):

Austria	Belgium	Denmark	Finland	Sweden
France	Germany	Ireland	Italy	Switzerland
Netherlands	Israel	Portugal	Spain	Great Britain
Japan	Norway	China	Poland	Czech. Republic
Singapore	Rep. of Korea	Hungary	Iceland	Slovenia

ORDERING INFORMATION					
VKP SERIES	102 CAP. VALUE	M TOLERANCE	CQ RATED VOLTAGE	EDO LEAD CONFIGURATION	K INTERNAL CODE